

Gate Bolts for Tongue Switches: **GBL-1-SS & GBA-1-SS**

FEATURES & APPLICATION:



IDEM STAINLESS STEEL GATE BOLTS FOR TONGUE SWITCHES

Available in two sizes to accommodate short or long version tongue switches.

IDEM Stainless Steel Gate Bolt Actuators provide:

The GBL-1-SS and GBA-1-SS Steel Gate Bolts are manufactured in Stainless Steel and provide shearing forces up to 10,000 N (F1Max) on large hinged doors.

Easy to install on hinged or sliding guards. (4 x M6 Mounting Bolts).

Once installed there is no need for extra brackets or door handles.

Not susceptible to misalignment damage.

Operators are required to manually close the guard, they cannot close accidentally.

A padlock hole is provided as a means of locking open the handle to prevent the guard from being closed and the machine started during maintenance.

Supplied with Handle and Flat Actuator (Type F).

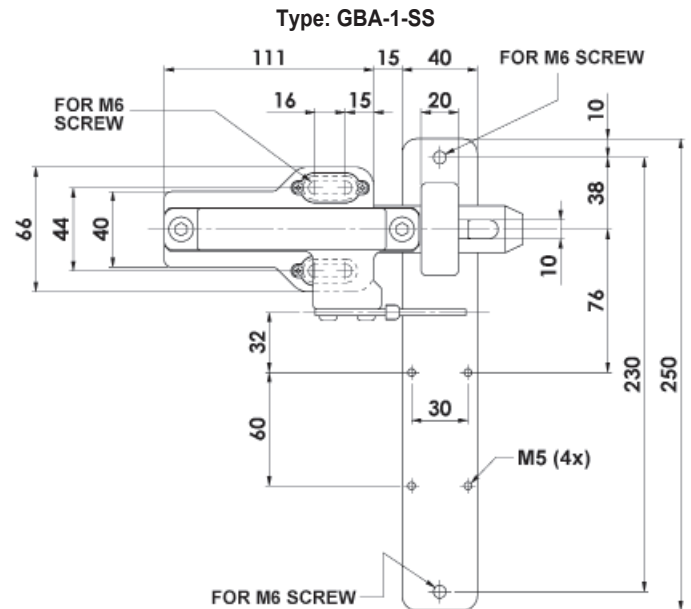
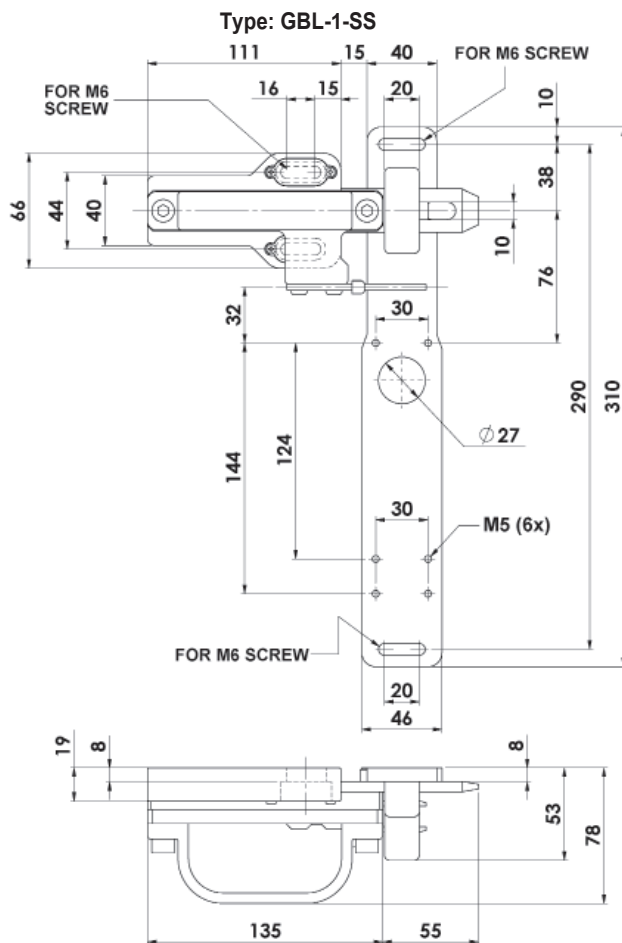
Optional Accessories (which can be fitted later after installation):

Stainless Steel Rear Handle: For where there is a requirement to move the handle from inside the guarded area.

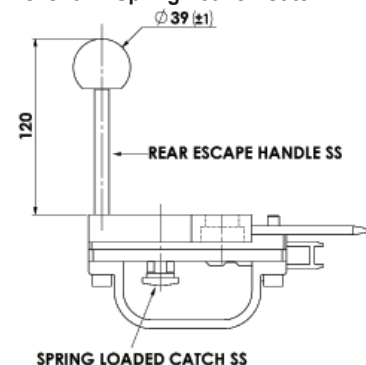
Stainless Steel Spring Loaded Catch:

To prevent accidental actuation after opening of the handle.

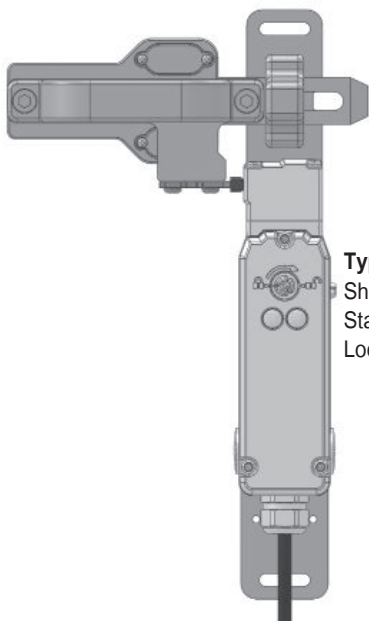
GBL-1-SS shown fitted with KL3-SS Switch
Left Hand Version shown



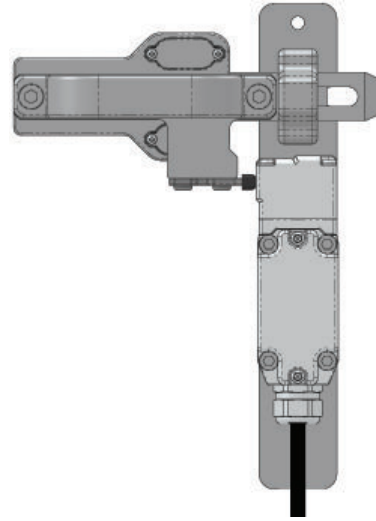
Stainless Steel Handle with Rear Lever and Spring Loaded Catch



Gate Bolts for Tongue Switches: **GBL-1-SS & GBA-1-SS**



Type: GBL-1-SS
Shown fitted with KL3-SS
Stainless Steel 316 Solenoid
Locking Tongue Switch

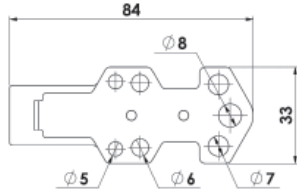
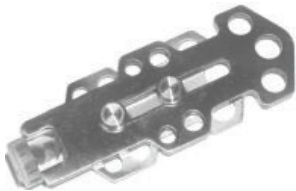


Type: GBA-1-SS
Shown fitted with KM-SS
Stainless Steel 316 Tongue
Switch

DESCRIPTION		SALES NUMBER	SUITABILITY
Gate Bolt Lock	GBL-1-SS Left Hand	211001	Suitable for Switch Types: KL3-SS KL3-SS-RR KL4-SS
Gate Bolt Lock	GBL-1-SS Right Hand	211002	
Gate Bolt Tongue	GBA-1-SS Left Hand	211003	Suitable for Switch Type: KM-SS
Gate Bolt Tongue	GBA-1-SS Right Hand	211004	
	Rear Handle - Stainless Steel	211005	Suitable for GBL-1-SS and GBA-1-SS
	Spring Loaded Catch - Stainless Steel	211006	Suitable for GBL-1-SS and GBA-1-SS

Accessories

Maintenance Lock Out Actuator:



Maintenance Lock Out Actuator. Fits to IDEM Tongue Switches. Manufactured in Stainless Steel. Fits to switch aperture during maintenance and provides multiple padlock holes. Shown fitted to KM Switch (padlock not included).

Actuator with Chain Attachment:

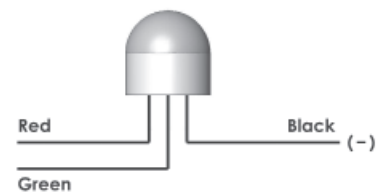


Flat Actuator supplied with 300mm (12") chain. Can be used where poor alignment exists and provides manual insertion of actuator by operator. Manufactured in Stainless Steel.

CONDUIT FITTING LED BEACON:



2 colour LED (3 wires) Steady Red and Steady Green. Fits to conduit entry of most switches and provides option for LED indication based upon switch contacts. The dome shaped LED is visible from narrow angles. Available voltages 24Vdc, 110Vac or 230Vac and either M20 or 1/2" NPT conduit thread. PVC conductors, fully encapsulated IP67. Maximum temperature: 60C. Housing material is polyester.



Black is common (0Vdc or negative for ac versions). When power is applied to the RED wire the lamp will illuminate Red. When power is applied to the GREEN wire the lamp will illuminate Green.

DESCRIPTION		SALES NUMBER
Lockout Actuator		140130
Flat Actuator with Chain		140131
Conduit LED Beacon	24Vdc M20 conduit thread	140134
Conduit LED Beacon	110Vac M20 conduit thread	140136
Conduit LED Beacon	230Vac M20 conduit thread	140138
Conduit LED Beacon	24Vdc 1/2" NPT conduit thread	140135
Conduit LED Beacon	110Vac 1/2" NPT conduit thread	140137
Conduit LED Beacon	230Vac 1/2" NPT conduit thread	140139

