



IDEM Micro Switches

Operating Instructions

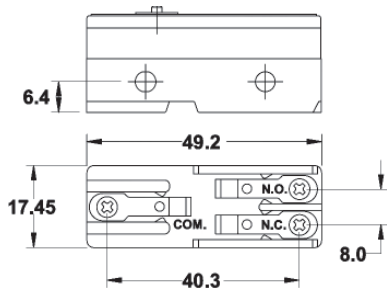


FEATURES:

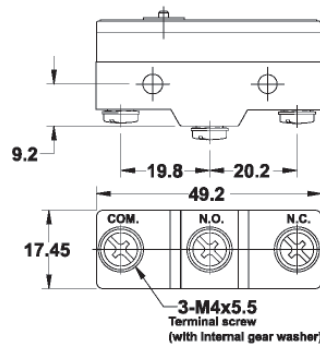
IDEM's range of Micro Switches provide the following features:

- A high precision basic micro switch available in a wide variety of styles.
- Available with a choice of actuator types: Solder Actuator or Screw Actuator.
- Wide margins of operating conditions increase the operating speed range.

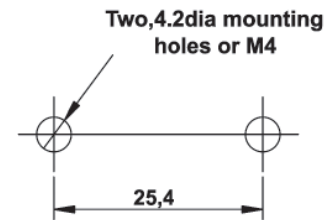
TERMINALS:



SOLDER TERMINAL



SCREW TERMINAL



MOUNTING HOLES

PRODUCT SELECTION (via Part Number):

SCREW ACTUATOR TYPES:

Part Number	Description
176101	Pin Plunger
176102	Short Lever
176103	Roller Lever
176104	Slim Spring Plunger
176105	Short Spring Plunger
176106	Panel Mount Plunger
176107	Panel Mount Roller Plunger
176108	Panel Mount Cross Roller Plunger
176109	Long Hinge Lever
176110	Short Hinge Lever
176111	Long Hinge Roller Lever
176112	Short Hinge Roller Lever
171113	Uni-Directional Short Hinge Roller Lever
176114	IP67 Short Spring Plunger
176000	Terminal Enclosure

SOLDER ACTUATOR TYPES:

Part Number	Description
176001	Pin Plunger
176002	Short Lever
176003	Roller Lever
176004	Slim Spring Plunger
176005	Short Spring Plunger
176006	Panel Mount Plunger
176007	Panel Mount Roller Plunger
176008	Panel Mount Cross Roller Plunger
176009	Long Hinge Lever
176010	Short Hinge Lever
176011	Long Hinge Roller Lever
176012	Short Hinge Roller Lever
176013	Uni-Directional Short Hinge Roller Lever
176014	IP67 Short Spring Plunger
176000	Terminal Enclosure

SPECIFICATIONS:

Standard:	20(4)A 250VAC EN61058-1 15A 125VAC or 250VAC UL61058-1
Rating:	1/2A 125VDC 1/4A 250VDC 1/8HP 125VAC 1/4HP 250VAC
Contact Resistance:	15m Ohms max. (initial)
Insulation Resistance:	100m Ohms min. (at 500VDC)
Dielectric Strength:	Between terminals of same polarity AC 100V (50/60Hz for 1 minute)
Electrical Life:	100,000 operations
Mechanical Life:	1,000,000 operations (minimum)



Pin Plunger



Short Lever



Roller Lever



Slim Spring Plunger



Short Spring Plunger



Panel Mount Plunger



Panel Mount Roller Plunger



Panel Mount Cross Roller Plunger



Long Hinge Lever



Short Hinge Lever



Long Hinge Roller Lever



Short Hinge Roller Lever



Uni-Directional Short Hinge Roller Lever



Short Spring Plunger (with dust protection)



TERMINAL ENCLOSURE

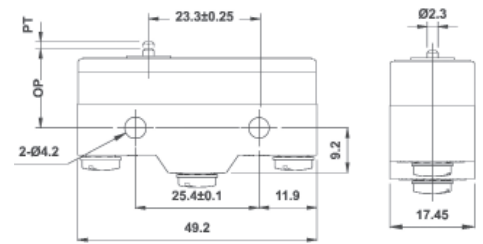
MICRO SWITCH - PIN PLUNGER:



OPERATION CHARACTERISTICS:

Operating Force: 250-350gr
 Release Force (min): 114gr
 Pre-Travel (max): 0.4mm
 Over-Travel (min): 0.13mm
 MD (max): 0.05mm
 Operating Position: 15.9 ± 0.4mm

DIMENSIONS:



SALES NUMBERS

SOLDER TERMINAL	SCREW TERMINAL
176001	176101

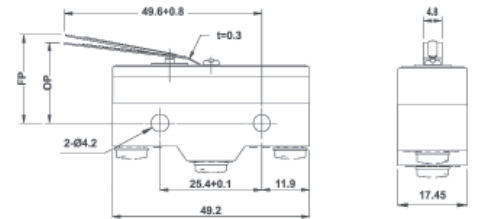
MICRO SWITCH - SHORT LEVER:



OPERATION CHARACTERISTICS:

Operating Force (max): 141gr
 Release Force (min): 14gr
 Pre-Travel (max): 4mm
 Over-Travel (min): 1.6mm
 MD (max): 1.3mm
 FP (max): 20.6mm
 Operating Position: 17.4 ± 0.8mm

DIMENSIONS:



SALES NUMBERS

SOLDER TERMINAL	SCREW TERMINAL
176002	176102

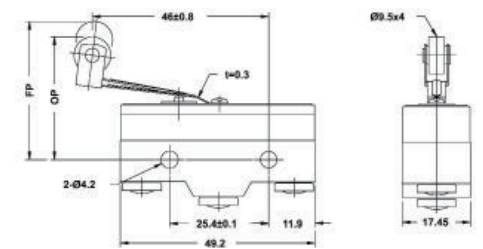
MICRO SWITCH - ROLLER LEVER:



OPERATION CHARACTERISTICS:

Operating Force (max): 141gr
 Release Force (min): 14gr
 Pre-Travel (max): 4mm
 Over-Travel (min): 1.6mm
 MD (max): 1.3mm
 FP (max): 31.8mm
 Operating Position: 28.6 ± 0.8mm

DIMENSIONS:



SALES NUMBERS

SOLDER TERMINAL	SCREW TERMINAL
176003	176103

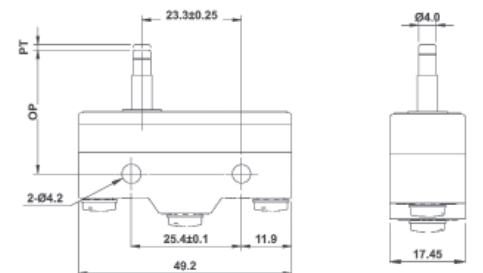
MICRO SWITCH - SLIM SPRING PLUNGER:



OPERATION CHARACTERISTICS:

Operating Force (max): 250-350gr
 Release Force (min): 114gr
 Pre-Travel (max): 0.4mm
 Over-Travel (min): 1.6mm
 MD (max): 0.5mm
 Operating Position: 28.2 ± 0.5mm

DIMENSIONS:



SALES NUMBERS

SOLDER TERMINAL	SCREW TERMINAL
176004	176104

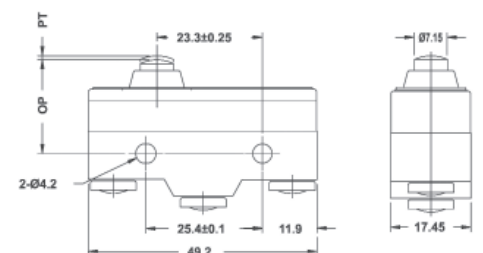
MICRO SWITCH - SHORT SPRING PLUNGER:



OPERATION CHARACTERISTICS:

Operating Force: 250-350gr
 Release Force (min): 114gr
 Pre-Travel (max): 0.4mm
 Over-Travel (min): 1.6mm
 MD (max): 0.05mm
 Operating Position: 21.5 ± 0.5mm

DIMENSIONS:



SALES NUMBERS

SOLDER TERMINAL	SCREW TERMINAL
176005	176105

MICRO SWITCH - PANEL MOUNT PLUNGER:



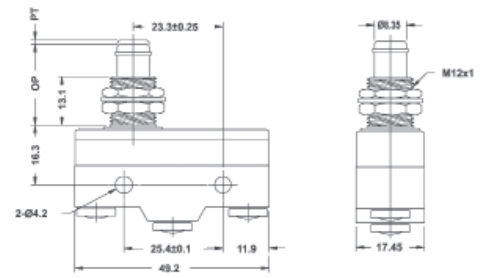
OPERATION CHARACTERISTICS:

Operating Force: 250-350gr
 Release Force (min): 114gr
 Pre-Travel (max): 0.4mm
 Over-Travel (min): 5.5mm
 MD (max): 0.05mm
 Operating Position: $21.8 \pm 0.8\text{mm}$

SALES NUMBERS

SOLDER TERMINAL	SCREW TERMINAL
176006	176106

DIMENSIONS:



MICRO SWITCH - PANEL MOUNT ROLLER PLUNGER:



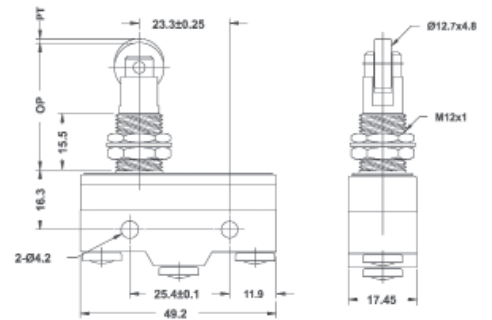
OPERATION CHARACTERISTICS:

Operating Force: 250-350gr
 Release Force (min): 114gr
 Pre-Travel (max): 0.4mm
 Over-Travel (min): 3.58mm
 MD (max): 0.05mm
 Operating Position: $33.4 \pm 1.2\text{mm}$

SALES NUMBERS

SOLDER TERMINAL	SCREW TERMINAL
176007	176107

DIMENSIONS:



MICRO SWITCH - PANEL MOUNT CROSS ROLLER PLUNGER:



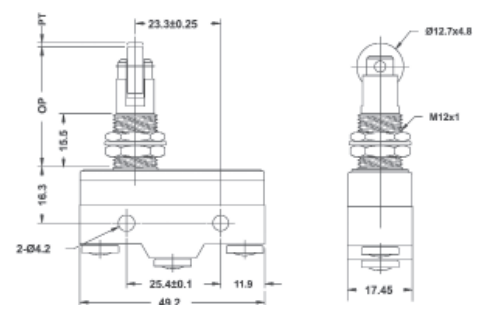
OPERATION CHARACTERISTICS:

Operating Force: 250-350gr
 Release Force (min): 114gr
 Pre-Travel (max): 0.4mm
 Over-Travel (min): 3.58mm
 MD (max): 0.05mm
 Operating Position: $33.4 \pm 1.2\text{mm}$

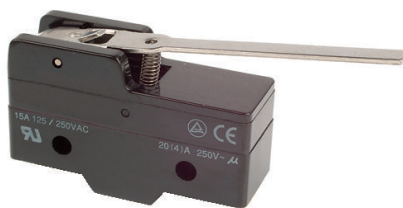
SALES NUMBERS

SOLDER TERMINAL	SCREW TERMINAL
176008	176108

DIMENSIONS:



MICRO SWITCH - LONG HINGE LEVER:



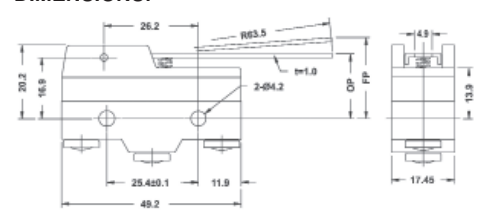
OPERATION CHARACTERISTICS:

Operating Force (max): 70gr
 Release Force (min): 14gr
 Pre-Travel (max): 10mm
 Over-Travel (min): 5.6mm
 MD (max): 1.27mm
 FP (max): 28.2mm
 Operating Position: $19 \pm 0.8\text{mm}$

SALES NUMBERS

SOLDER TERMINAL	SCREW TERMINAL
176009	176109

DIMENSIONS:



MICRO SWITCH - SHORT HINGE LEVER:



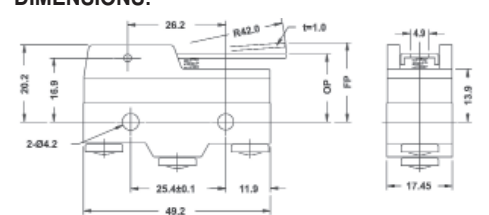
OPERATION CHARACTERISTICS:

Operating Force (max): 90gr
 Release Force (min): 18gr
 Pre-Travel (max): 7mm
 Over-Travel (min): 3.5mm
 MD (max): 1mm
 FP (max): 26.2mm
 Operating Position: $19.8 \pm 0.8\text{mm}$

SALES NUMBERS

SOLDER TERMINAL	SCREW TERMINAL
176010	176110

DIMENSIONS:



MICRO SWITCH - LONG HINGE ROLLER LEVER:



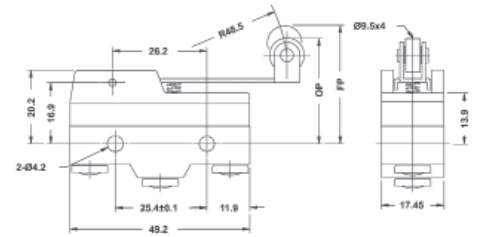
OPERATION CHARACTERISTICS:

Operating Force (max): 100gr
 Release Force (min): 22gr
 Pre-Travel (max): 7.1mm
 Over-Travel (min): 4mm
 MD (max): 1.02mm
 FP (max): 36.5mm
 Operating Position: 30.2 ± 0.8mm

SALES NUMBERS

SOLDER TERMINAL	SCREW TERMINAL
176011	176111

DIMENSIONS:



MICRO SWITCH - SHORT HINGE ROLLER LEVER:



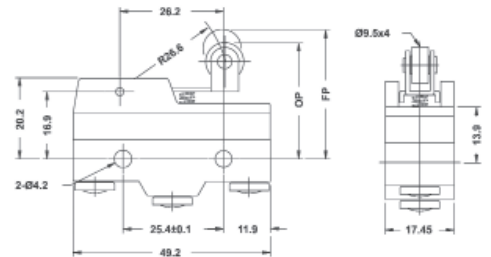
OPERATION CHARACTERISTICS:

Operating Force (max): 160gr
 Release Force (min): 42gr
 Pre-Travel (max): 2.7mm
 Over-Travel (min): 2.4mm
 MD (max): 0.5mm
 FP (max): 32.5mm
 Operating Position: 30.2 ± 0.4mm

SALES NUMBERS

SOLDER TERMINAL	SCREW TERMINAL
176012	176112

DIMENSIONS:



MICRO SWITCH - UNI-DIRECTIONAL SHORT HINGE ROLLER LEVER:



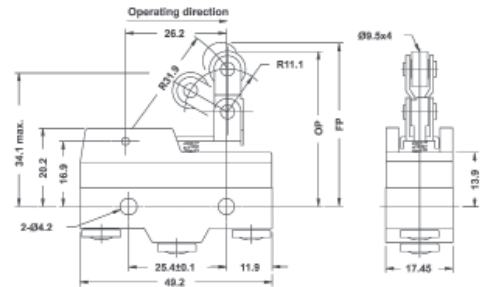
OPERATION CHARACTERISTICS:

Operating Force (max): 170gr
 Release Force (min): 42gr
 Pre-Travel (max): 2.7mm
 Over-Travel (min): 2.4mm
 MD (max): 0.51mm
 FP (max): 43.6mm
 Operating Position: 41.3 ± 0.8mm

SALES NUMBERS

SOLDER TERMINAL	SCREW TERMINAL
176013	176113

DIMENSIONS:



MICRO SWITCH - SHORT SPRING PLUNGER (with dust protection IP60):



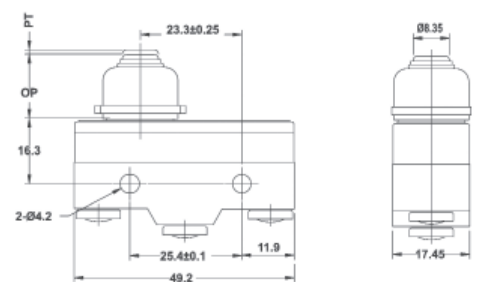
OPERATION CHARACTERISTICS:

Operating Force (max): 540gr
 Release Force (min): 114gr
 Pre-Travel (max): 2.3mm
 Over-Travel (min): 1.6mm
 MD (max): 0.06mm
 Operating Position: 28.2 ± 0.5mm

SALES NUMBERS

SOLDER TERMINAL	SCREW TERMINAL
176014	176114

DIMENSIONS:



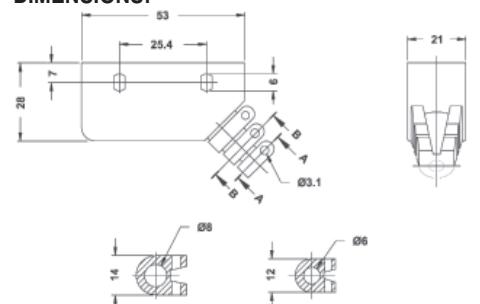
MICRO SWITCH - TERMINAL ENCLOSURE:



CHARACTERISTICS:

Designed to carry and protect all varieties of IDEM Micro Switches.

DIMENSIONS:



SALES NUMBERS

TERMINAL ENCLOSURE FOR ALL TYPES
176000