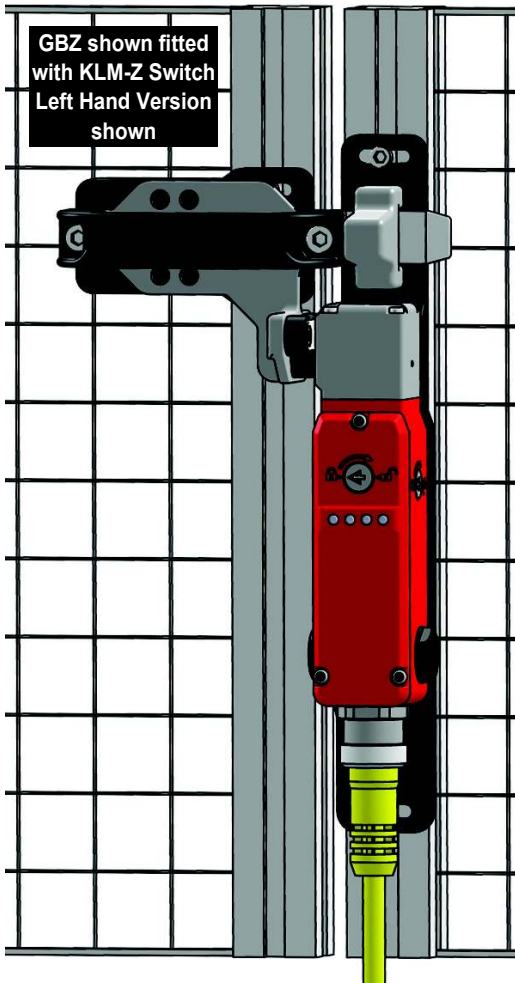


Gate Bolt for GBZ Switch: GBZ Gate Bolt Lock

FEATURES & APPLICATION:



IDEM GBZ GATE BOLT SUITABLE FOR KLP-Z and KLM-Z SWITCHES

GBZ Gate Bolts are manufactured with a rugged die-cast metal and steel construction and provide shearing forces up to 10,000N (F1Max) on large hinged doors.

Easy to install on hinged or sliding guards. (4 x M6 Mounting Bolts).

Once installed there is no need for extra brackets or door handles.

Not susceptible to misalignment damage.

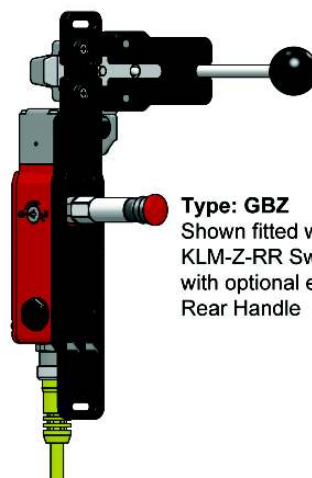
Operators are required to manually close the guard, they cannot close accidentally.

Padlock holes are provided as a means of locking open the handle to prevent the guard from being closed and the machine started during maintenance.

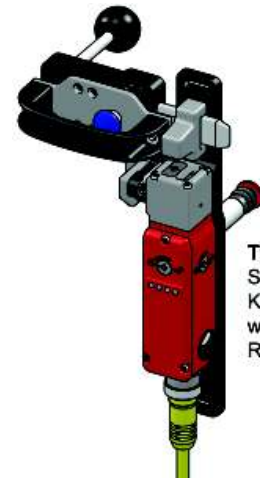
Optional Accessories (which can be fitted later after installation):

Rear Handle where there is a requirement to move the handle from inside the guarded area.

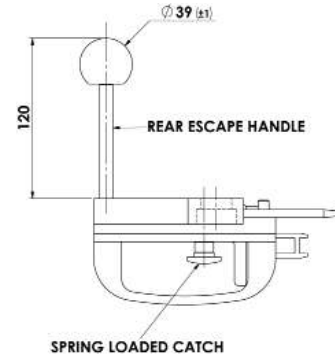
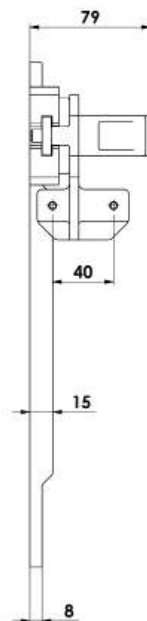
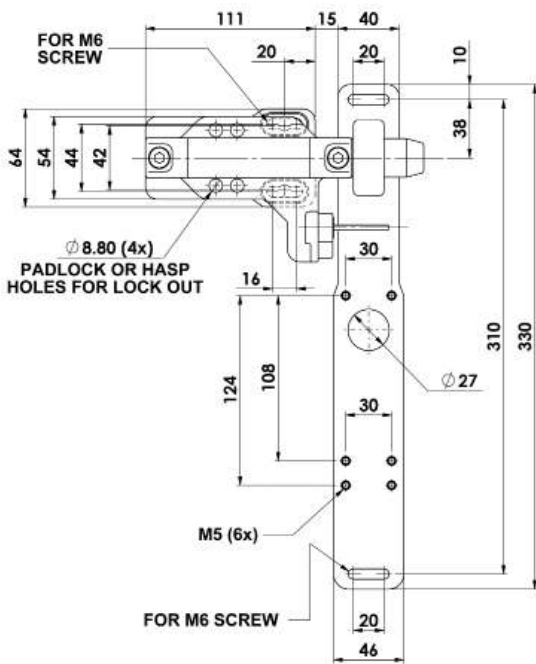
Spring Loaded Catch: To prevent accidental actuation after opening of the handle.



Type: GBZ
Shown fitted with
KLM-Z-RR Switch
with optional extra
Rear Handle



Type: GBZ
Shown fitted with
KLM-Z-RR Switch
with optional extra
Rear Handle

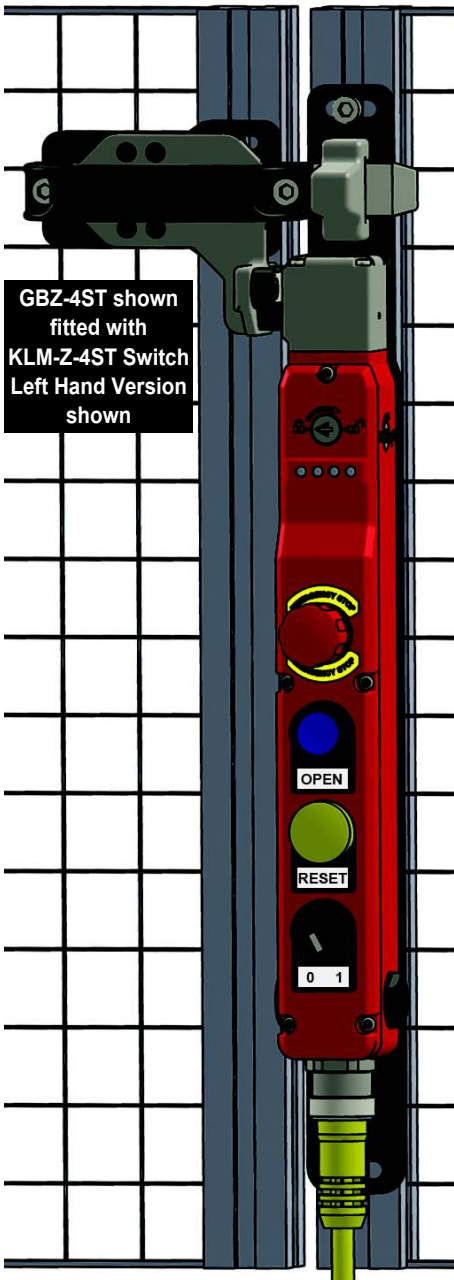


	DESCRIPTION (Suitable for Switch Types: KLP-Z and KLM-Z)	SALES NUMBER
Gate Bolt Lock	GBZ Left Hand	458001
Gate Bolt Lock	GBZ Right Hand	458002

	DESCRIPTION (Accessories)	SALES NUMBER
Rear Handle (can be fitted later)		210005
Spring Loaded Catch (can be fitted later)		210006

Gate Bolt for GBZ-4ST Switch: **GBZ-4ST Gate Bolt Lock**

FEATURES & APPLICATION:



IDEM GBZ-4ST GATE BOLT SUITABLE FOR KLM-Z-4ST SWITCHES

GBZ-4ST Gate Bolts are manufactured with a rugged die-cast metal and steel construction and provide shearing forces up to 10,000N (F1Max) on large hinged doors.

Easy to install on hinged or sliding guards. (2 x M6 and 2 x M8 Mounting Bolts).

Once installed there is no need for extra brackets or door handles.

Not susceptible to misalignment damage.

Operators are required to manually close the guard, they cannot close accidentally.

Padlock holes are provided as a means of locking open the handle to prevent the guard from being closed and the machine started during maintenance.

Optional Accessories (which can be fitted later after installation):

Rear Handle where there is a requirement to move the handle from inside the guarded area.

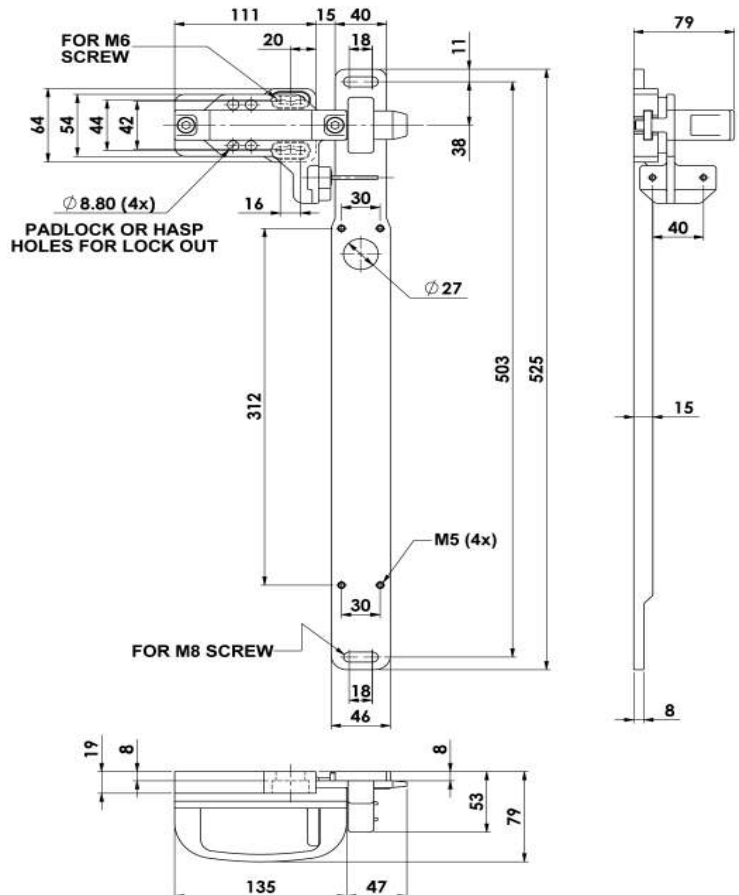
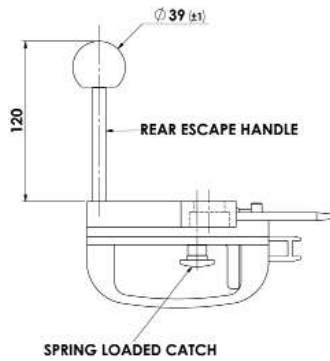
Spring Loaded Catch: To prevent accidental actuation after opening of the handle.



Type: GBZ-4ST
Shown fitted with
KLM-Z-4ST-RR
Switch with optional
extra Rear Handle



Type: GBZ-4ST
Shown fitted with
KLM-Z-4ST-RR
Switch with
optional extra
Rear Handle



DESCRIPTION (Suitable for Switch Types: KLP-Z and KLM-Z)		SALES NUMBER
Gate Bolt Lock	GBZ-4ST Left Hand	458003
Gate Bolt Lock	GBZ-4ST Right Hand	458004

DESCRIPTION (Accessories)		SALES NUMBER
Rear Handle (can be fitted later)		210005
Spring Loaded Catch (can be fitted later)		210006