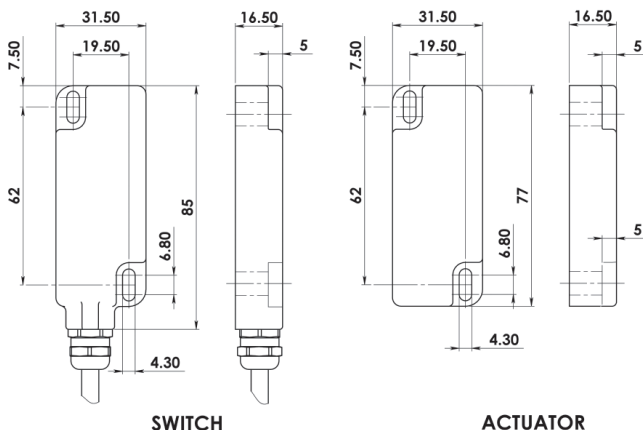


HYGIECODE - Coded Non Contact Type: WMC

FEATURES:

- Specifically designed for Food Processing applications -
- Stainless Steel 316 Housing Mirror Polished finish (Ra4)
- Robust 32mm wide housing, no moving parts - survives shock and vibration
- Can be high pressure hosed at high temperature - IP69K
- Wide 14mm sensing with high tolerance to misalignment
- Suitable for CIP and SIP cleaning -
- Food Splash Zones EHEDG guidelines
- LED indication
- Up to: PLe ISO13849-1
- 2NC 1NO circuits - high switching life - no moving parts

DIMENSIONS:



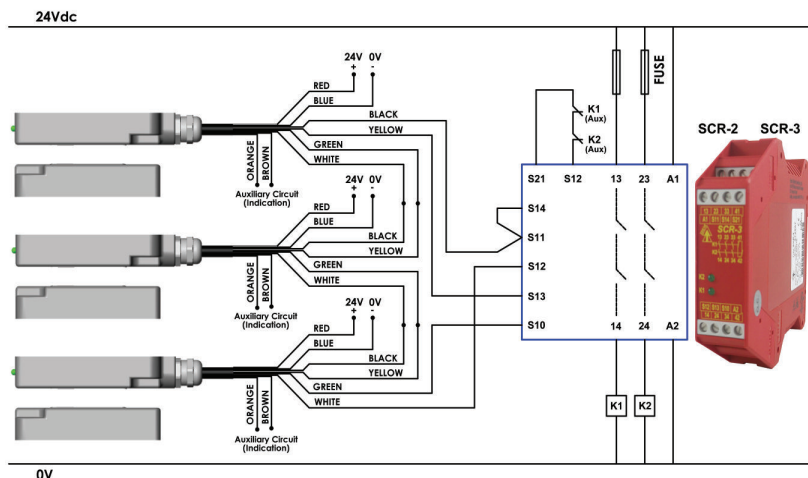
Stainless Steel 316 Housing mirror polished (Ra4)
Coded Magnetic Actuation
Switching Tolerance up to 14mm
Will operate with most Safety Relays



Quick Connect M12 versions fitted with 250mm (10") cable



CONNECTION EXAMPLE: CODED SWITCHES



Three switches connected in series to an SCR-2 or SCR-3 to give Dual Channel monitoring with Automatic Start and Contactor Feedback Check. Optional auxiliary circuits provide for remote signalling from each switch.

Standards: ISO14119 EN60947-5-1
 EN62024-1 ISO13849-1 EN62061 UL508

Safety Classification and Reliability Data:

- ISO13849-1 Up to PLe Category 4
- EN62061 Up to SIL3
- PFHd 8.71×10^{-11}
- Proof Test Interval (Life) 20 years
- MTTFd 866 years
- Safety Channel 1 NC 24Vdc 0.2A Max. Rating
- Safety Channel 2 NC 24Vdc 0.2A Max. Rating
- Safety Channel 3 NO 24Vdc 0.2A Max. Rating
- Minimum Switched Current 10Vdc 1mA
- Dielectric Withstand 250Vac
- Insulation Resistance 100 Mohms
- Recommended Setting Gap 5mm
- Switching Distance Sao 10mm Close
- (Target to Target) Sar 20mm Open
- Tolerance to Misalignment 5mm in any direction from 5mm setting gap
- Switching Frequency 1.0Hz maximum
- Approach Speed 200mm/min to 1000mm/sec
- Body Material Stainless Steel 316 mirror polished finish to Ra4
- Operating Temperature -25C +105C (CIP SIP cleaning)
- Enclosure Protection IP69K (NEMA PW12) IP67 (NEMA 6)
- Shock Resistance IEC68-2-27 11ms 30g
- Vibration Resistance IEC68-2-6 10-55Hz 1mm
- Cable Type PVC 6 or 8 core 6mm OD Conductors 0.25mm²
- Mounting Bolts 2xM4 Tightening torque 1.0Nm
- Mounting Position Any

Quick Connect QC M12 8 Way Male Plug Pin view from Switch	Flying Lead Colour	Circuit (Actuator Present)	Output Types Solid State
8	Orange	Auxiliary NO or NC	200mA Max. 24Vdc
5	Brown	Auxiliary NO or NC	200mA Max. 24Vdc
4	Yellow	Safety NC2 +ve	200mA Max. 24Vdc
6	Green	Safety NC2 -ve	200mA Max. 24Vdc
7	Black	Safety NC1 +ve	200mA Max. 24Vdc
1	White	Safety NC1 -ve	200mA Max. 24Vdc
2	Red	Supply +24Vdc	Supply 24Vdc +/- 10%
3	Blue	Supply 0Vdc	Supply 24Vdc +/- 10%



140101	Female QC Lead	M12 Female 5m. 8 way
140102	Female QC Lead	M12 Female 10m. 8 way

SALES NUMBER	TYPE	CABLE LENGTH	CIRCUITS
136013	Hygiecode WMC	2M	2NC
136014	Hygiecode WMC	5M	2NC
136015	Hygiecode WMC	10M	2NC
136016	Hygiecode WMC	QC-M12	2NC
136017	Hygiecode WMC	2M	2NC 1NO
136018	Hygiecode WMC	5M	2NC 1NO
136019	Hygiecode WMC	10M	2NC 1NO
136020	Hygiecode WMC	QC-M12	2NC 1NO

AVAILABLE WITHOUT LED IF REQUIRED.

For all IDEM switches the normally closed (NC) circuits are closed when the guard is closed and the actuator is present.