

# MICRO SWITCHES

(PLEASE NOTE THESE ARE NOT CLASSED AS SAFETY SWITCHES)

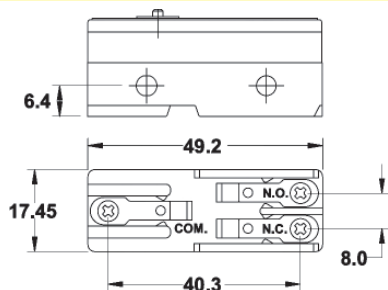
## FEATURES:



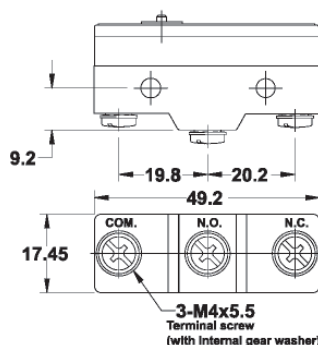
IDEM's range of Micro Switches provide the following features:

- A high precision basic micro switch available in a wide variety of styles.
- Available with a choice of actuator types: Solder Actuator or Screw Actuator.
- Wide margins of operating conditions increase the operating speed range.

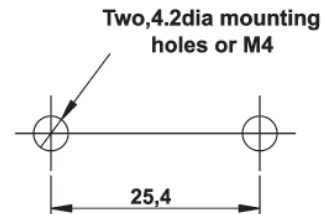
## TERMINALS:



SOLDER TERMINAL



SCREW TERMINAL



MOUNTING HOLES

## PRODUCT SELECTION (via Part Number):

### SOLDER ACTUATOR TYPES:

Part Number	Description
176001	Pin Plunger
176002	Short Lever
176003	Roller Lever
176004	Slim Spring Plunger
176005	Short Spring Plunger
176006	Panel Mount Plunger
176007	Panel Mount Roller Plunger
176008	Panel Mount Cross Roller Plunger
176009	Long Hinge Lever
176010	Short Hinge Lever
176011	Long Hinge Roller Lever
176012	Short Hinge Roller Lever
176013	Uni-Directional Short Hinge Roller Lever
176014	IP67 Short Spring Plunger
176000	Terminal Enclosure

### SCREW ACTUATOR TYPES:

Part Number	Description
176101	Pin Plunger
176102	Short Lever
176103	Roller Lever
176104	Slim Spring Plunger
176105	Short Spring Plunger
176106	Panel Mount Plunger
176107	Panel Mount Roller Plunger
176108	Panel Mount Cross Roller Plunger
176109	Long Hinge Lever
176110	Short Hinge Lever
176111	Long Hinge Roller Lever
176112	Short Hinge Roller Lever
171113	Uni-Directional Short Hinge Roller Lever
176114	IP67 Short Spring Plunger
176000	Terminal Enclosure

### SPECIFICATIONS:

<b>Standard:</b>	20(4)A 250VAC EN61058-1 15A 125VAC or 250VAC UL61058-1
<b>Rating:</b>	1/2A 125VDC 1/4A 250VDC 1/8HP 125VAC 1/4HP 250VAC
<b>Contact Resistance:</b>	15m Ohms max. (initial)
<b>Insulation Resistance:</b>	100m Ohms min. (at 500VDC)
<b>Dielectric Strength:</b>	Between terminals of same polarity AC 100V (50/60Hz for 1 minute)
<b>Electrical Life:</b>	100,000 operations
<b>Mechanical Life:</b>	1,000,000 operations (minimum)



Pin Plunger



Short Lever



Roller Lever



Slim Spring Plunger



Short Spring Plunger



Panel Mount Plunger



Panel Mount Roller Plunger



Panel Mount Cross Roller Plunger



Long Hinge Lever



Short Hinge Lever



Long Hinge Roller Lever



Short Hinge Roller Lever



Uni-Directional Short Hinge Roller Lever



Short Spring Plunger (with dust protection)



TERMINAL ENCLOSURE

# MICRO SWITCHES (PLEASE NOTE THESE ARE NOT CLASSED AS SAFETY SWITCHES)



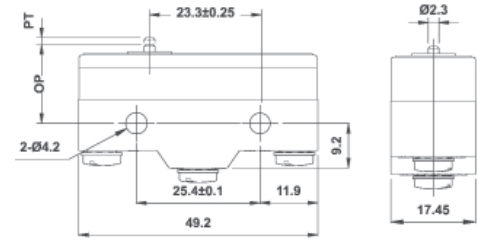
## MICRO SWITCH - PIN PLUNGER:



### OPERATION CHARACTERISTICS:

Operating Force: 250-350gr  
 Release Force (min): 114gr  
 Pre-Travel (max): 0.4mm  
 Over-Travel (min): 0.13mm  
 MD (max): 0.05mm  
 Operating Position: 15.9 ± 0.4mm

### DIMENSIONS:



SALES NUMBERS	
SOLDER TERMINAL	SCREW TERMINAL
176001	176101

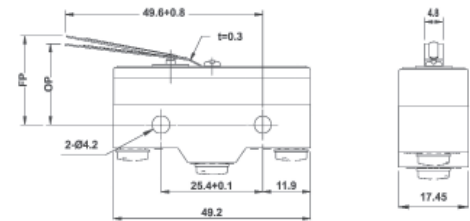
## MICRO SWITCH - SHORT LEVER:



### OPERATION CHARACTERISTICS:

Operating Force (max): 141gr  
 Release Force (min): 14gr  
 Pre-Travel (max): 4mm  
 Over-Travel (min): 1.6mm  
 MD (max): 1.3mm  
 FP (max): 20.6mm  
 Operating Position: 17.4 ± 0.8mm

### DIMENSIONS:



SALES NUMBERS	
SOLDER TERMINAL	SCREW TERMINAL
176002	176102

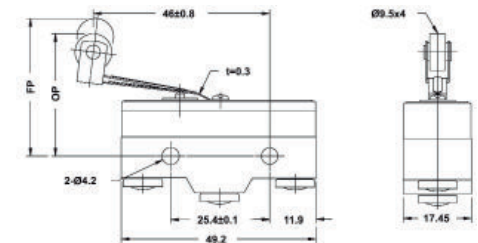
## MICRO SWITCH - ROLLER LEVER:



### OPERATION CHARACTERISTICS:

Operating Force (max): 141gr  
 Release Force (min): 14gr  
 Pre-Travel (max): 4mm  
 Over-Travel (min): 1.6mm  
 MD (max): 1.3mm  
 FP (max): 31.8mm  
 Operating Position: 28.6 ± 0.8mm

### DIMENSIONS:



SALES NUMBERS	
SOLDER TERMINAL	SCREW TERMINAL
176003	176103

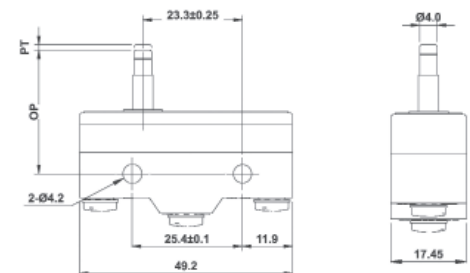
## MICRO SWITCH - SLIM SPRING PLUNGER:



### OPERATION CHARACTERISTICS:

Operating Force (max): 250-350gr  
 Release Force (min): 114gr  
 Pre-Travel (max): 0.4mm  
 Over-Travel (min): 1.6mm  
 MD (max): 0.5mm  
 Operating Position: 28.2 ± 0.5mm

### DIMENSIONS:



SALES NUMBERS	
SOLDER TERMINAL	SCREW TERMINAL
176004	176104

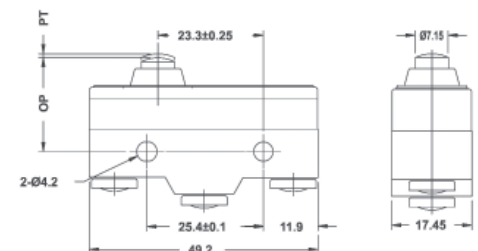
## MICRO SWITCH - SHORT SPRING PLUNGER:



### OPERATION CHARACTERISTICS:

Operating Force: 250-350gr  
 Release Force (min): 114gr  
 Pre-Travel (max): 0.4mm  
 Over-Travel (min): 1.6mm  
 MD (max): 0.05mm  
 Operating Position: 21.5 ± 0.5mm

### DIMENSIONS:



SALES NUMBERS	
SOLDER TERMINAL	SCREW TERMINAL
176005	176105

# MICRO SWITCHES (PLEASE NOTE THESE ARE NOT CLASSED AS SAFETY SWITCHES)



## MICRO SWITCH - PANEL MOUNT PLUNGER:



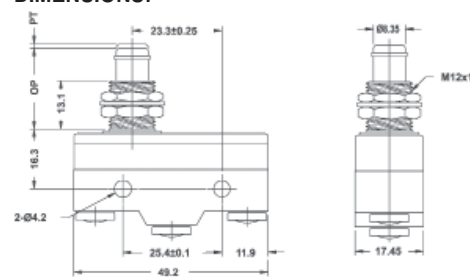
### OPERATION CHARACTERISTICS:

Operating Force: 250-350gr  
 Release Force (min): 114gr  
 Pre-Travel (max): 0.4mm  
 Over-Travel (min): 5.5mm  
 MD (max): 0.05mm  
 Operating Position:  $21.8 \pm 0.8\text{mm}$

### SALES NUMBERS

SOLDER TERMINAL	SCREW TERMINAL
176006	176106

### DIMENSIONS:



## MICRO SWITCH - PANEL MOUNT ROLLER PLUNGER:



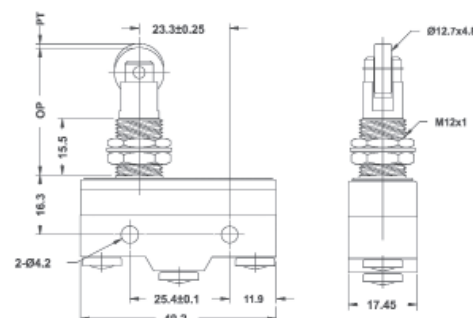
### OPERATION CHARACTERISTICS:

Operating Force: 250-350gr  
 Release Force (min): 114gr  
 Pre-Travel (max): 0.4mm  
 Over-Travel (min): 3.58mm  
 MD (max): 0.05mm  
 Operating Position:  $33.4 \pm 1.2\text{mm}$

### SALES NUMBERS

SOLDER TERMINAL	SCREW TERMINAL
176007	176107

### DIMENSIONS:



## MICRO SWITCH - PANEL MOUNT CROSS ROLLER PLUNGER:



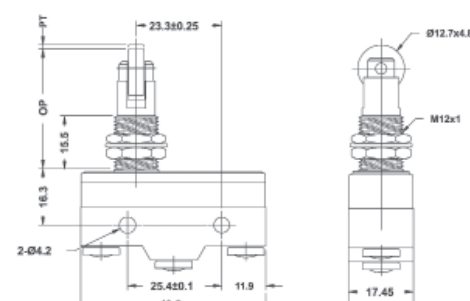
### OPERATION CHARACTERISTICS:

Operating Force: 250-350gr  
 Release Force (min): 114gr  
 Pre-Travel (max): 0.4mm  
 Over-Travel (min): 3.58mm  
 MD (max): 0.05mm  
 Operating Position:  $33.4 \pm 1.2\text{mm}$

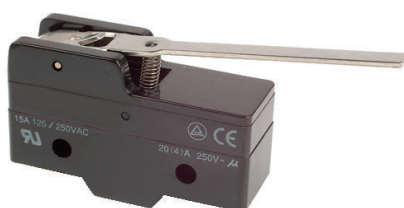
### SALES NUMBERS

SOLDER TERMINAL	SCREW TERMINAL
176008	176108

### DIMENSIONS:



## MICRO SWITCH - LONG HINGE LEVER:



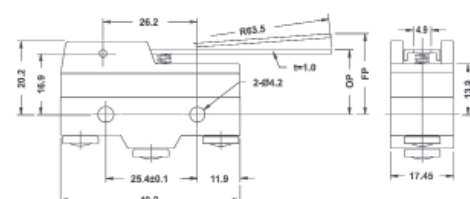
### OPERATION CHARACTERISTICS:

Operating Force (max): 70gr  
 Release Force (min): 14gr  
 Pre-Travel (max): 10mm  
 Over-Travel (min): 5.6mm  
 MD (max): 1.27mm  
 FP (max): 28.2mm  
 Operating Position:  $19 \pm 0.8\text{mm}$

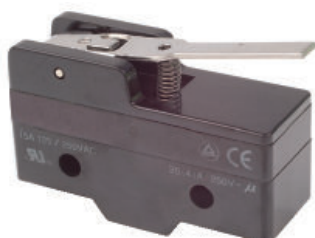
### SALES NUMBERS

SOLDER TERMINAL	SCREW TERMINAL
176009	176109

### DIMENSIONS:



## MICRO SWITCH - SHORT HINGE LEVER:



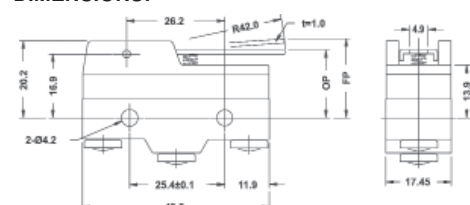
### OPERATION CHARACTERISTICS:

Operating Force (max): 90gr  
 Release Force (min): 18gr  
 Pre-Travel (max): 7mm  
 Over-Travel (min): 3.5mm  
 MD (max): 1mm  
 FP (max): 26.2mm  
 Operating Position:  $19.8 \pm 0.8\text{mm}$

### SALES NUMBERS

SOLDER TERMINAL	SCREW TERMINAL
176010	176110

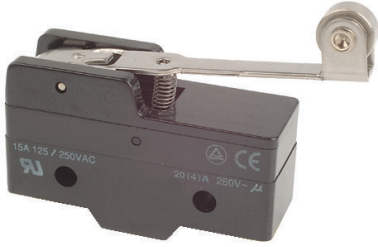
### DIMENSIONS:



# MICRO SWITCHES (PLEASE NOTE THESE ARE NOT CLASSED AS SAFETY SWITCHES)



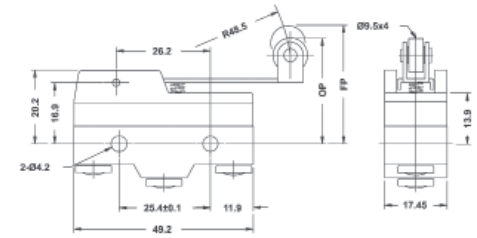
## MICRO SWITCH - LONG HINGE ROLLER LEVER:



### OPERATION CHARACTERISTICS:

Operating Force (max): 100gr  
 Release Force (min): 22gr  
 Pre-Travel (max): 7.1mm  
 Over-Travel (min): 4mm  
 MD (max): 1.02mm  
 FP (max): 36.5mm  
 Operating Position: 30.2 ± 0.8mm

### DIMENSIONS:



SALES NUMBERS	
SOLDER TERMINAL	SCREW TERMINAL
176011	176111

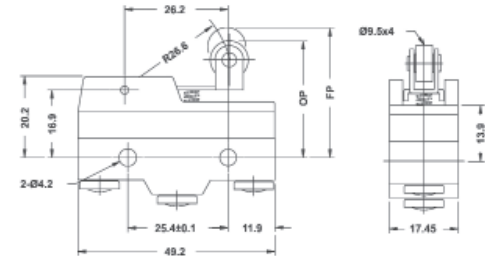
## MICRO SWITCH - SHORT HINGE ROLLER LEVER:



### OPERATION CHARACTERISTICS:

Operating Force (max): 160gr  
 Release Force (min): 42gr  
 Pre-Travel (max): 2.7mm  
 Over-Travel (min): 2.4mm  
 MD (max): 0.5mm  
 FP (max): 32.5mm  
 Operating Position: 30.2 ± 0.4mm

### DIMENSIONS:



SALES NUMBERS	
SOLDER TERMINAL	SCREW TERMINAL
176012	176112

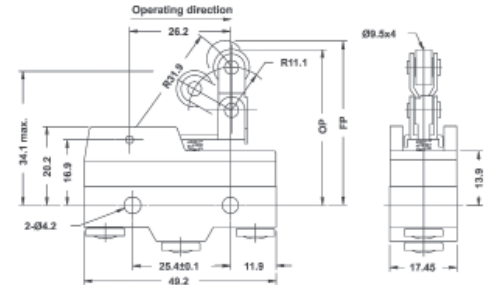
## MICRO SWITCH - UNI-DIRECTIONAL SHORT HINGE ROLLER LEVER:



### OPERATION CHARACTERISTICS:

Operating Force (max): 170gr  
 Release Force (min): 42gr  
 Pre-Travel (max): 2.7mm  
 Over-Travel (min): 2.4mm  
 MD (max): 0.51mm  
 FP (max): 43.6mm  
 Operating Position: 41.3 ± 0.8mm

### DIMENSIONS:



SALES NUMBERS	
SOLDER TERMINAL	SCREW TERMINAL
176013	176113

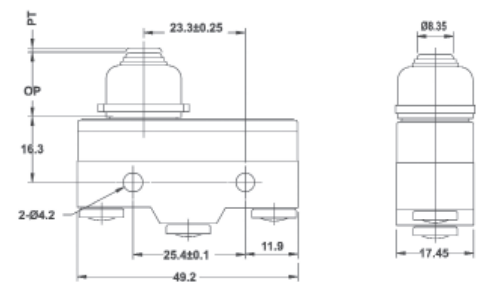
## MICRO SWITCH - SHORT SPRING PLUNGER (with dust protection IP60):



### OPERATION CHARACTERISTICS:

Operating Force (max): 540gr  
 Release Force (min): 114gr  
 Pre-Travel (max): 2.3mm  
 Over-Travel (min): 1.6mm  
 MD (max): 0.06mm  
 Operating Position: 28.2 ± 0.5mm

### DIMENSIONS:



SALES NUMBERS	
SOLDER TERMINAL	SCREW TERMINAL
176014	176101

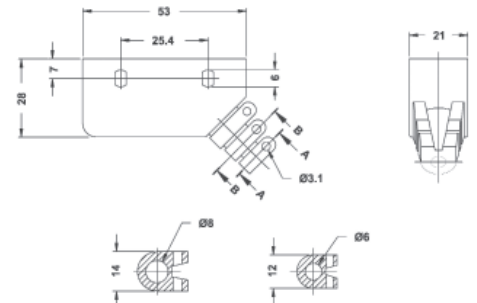
## MICRO SWITCH - TERMINAL ENCLOSURE:



### CHARACTERISTICS:

Designed to carry and protect all varieties of IDEM Micro Switches.

### DIMENSIONS:



SALES NUMBERS	
TERMINAL ENCLOSURE FOR ALL TYPES	
176000	